

REVISION RECORD		
LTR	ECO NO.	DATE

1

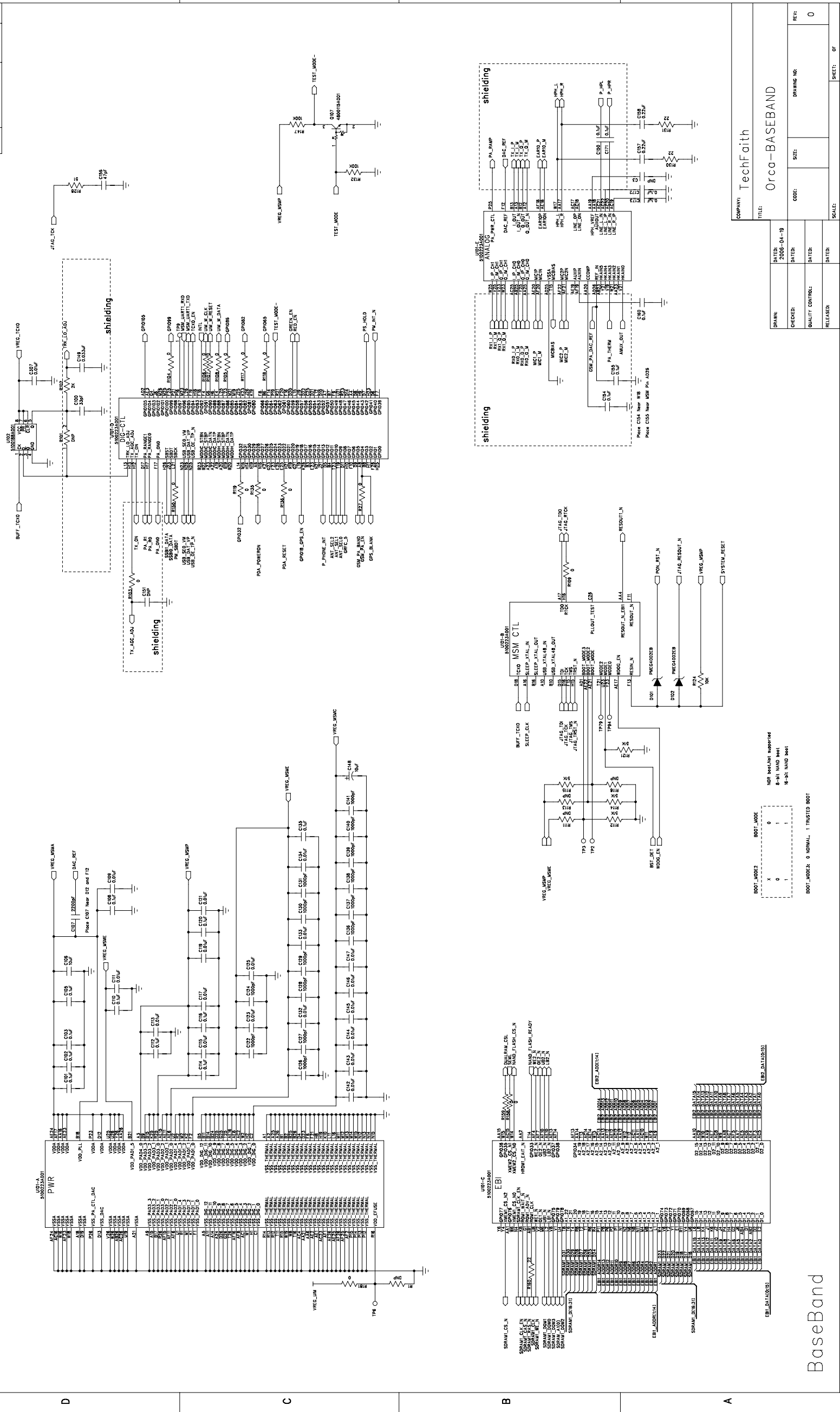
2

3

4

5

6



BOOT_MODE	
X	0
0	1
1	1

BOOT_MODE: 0 NORMAL, 1 TRUSTED BOOT

BaseBand

COMPANY: TechFaith	
TITLE: Orca-BASEBAND	
DRAWN: 2008-04-19	DATE: 2008-04-19
CHECKED:	DATE:
QUALITY CONTROL:	DATE:
RELEASED:	DATE:
CODE:	SIZE:
DRAWING NO:	REV: 0
SCALE:	SHEET: 07

REVISION RECORD	
LTR	DATE

REVISION RECORD	
ECO NO.	DATE

REVISION RECORD	
ECO NO.	DATE

REVISION RECORD	
ECO NO.	DATE

REVISION RECORD	
ECO NO.	DATE

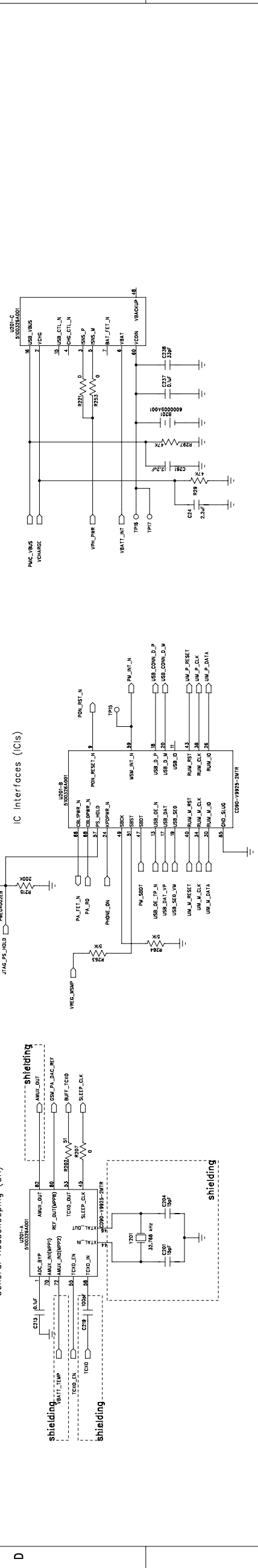
REVISION RECORD	
ECO NO.	DATE

REVISION RECORD	
ECO NO.	DATE

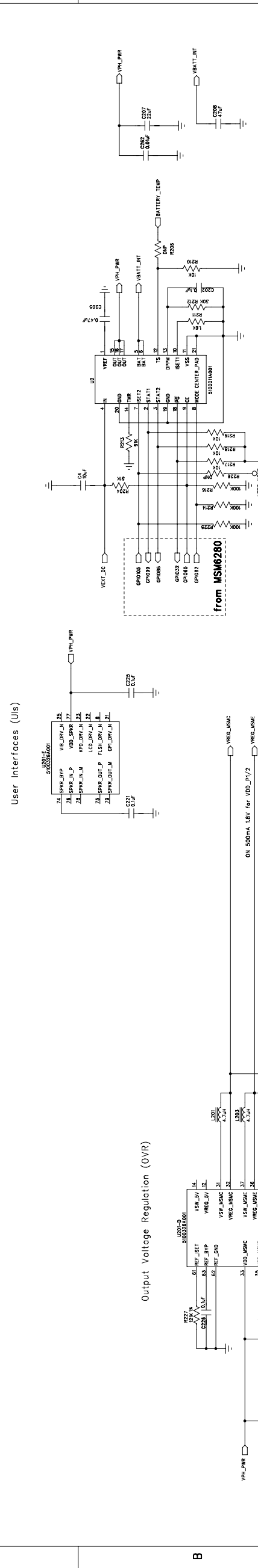
REVISION RECORD	
ECO NO.	DATE

REVISION RECORD	
ECO NO.	DATE

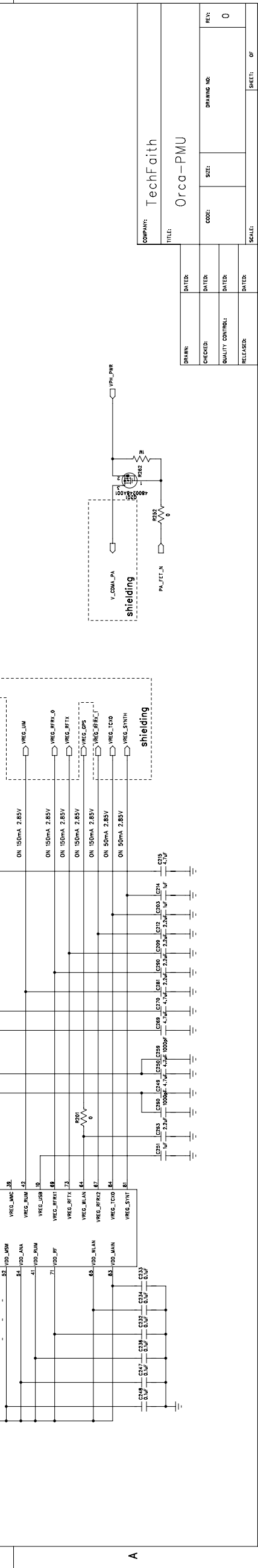
Input Power Management (IPM)



IC Interfaces (ICs)



User Interfaces (Uis)



Output Voltage Regulation (OVR)



General Housekeeping (GH)



Shielding

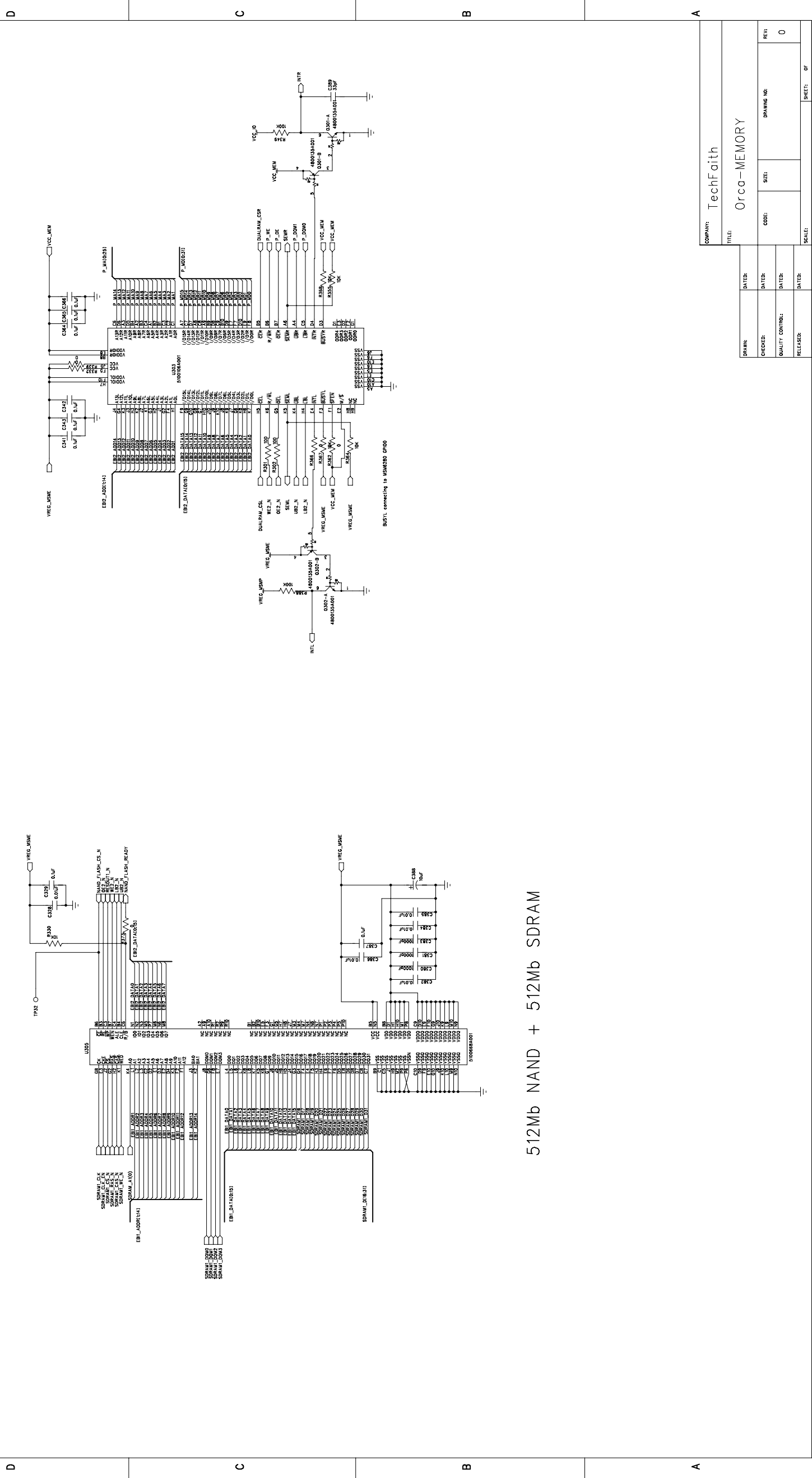


TechFaith

COMPANY: TechFaith	
TITLE: Orca-PMU	
DRAWN: _____	DATE: _____
CHECKED: _____	DATE: _____
QUALITY CONTROL: _____	DATE: _____
RELEASED: _____	DATE: _____
CODE: _____	SIZE: _____
DRAWING NO: _____	REV: 0
SCALE: _____	SHEET: 07

REVISION RECORD	
LTR	DATE

1 2 3 4 5 6

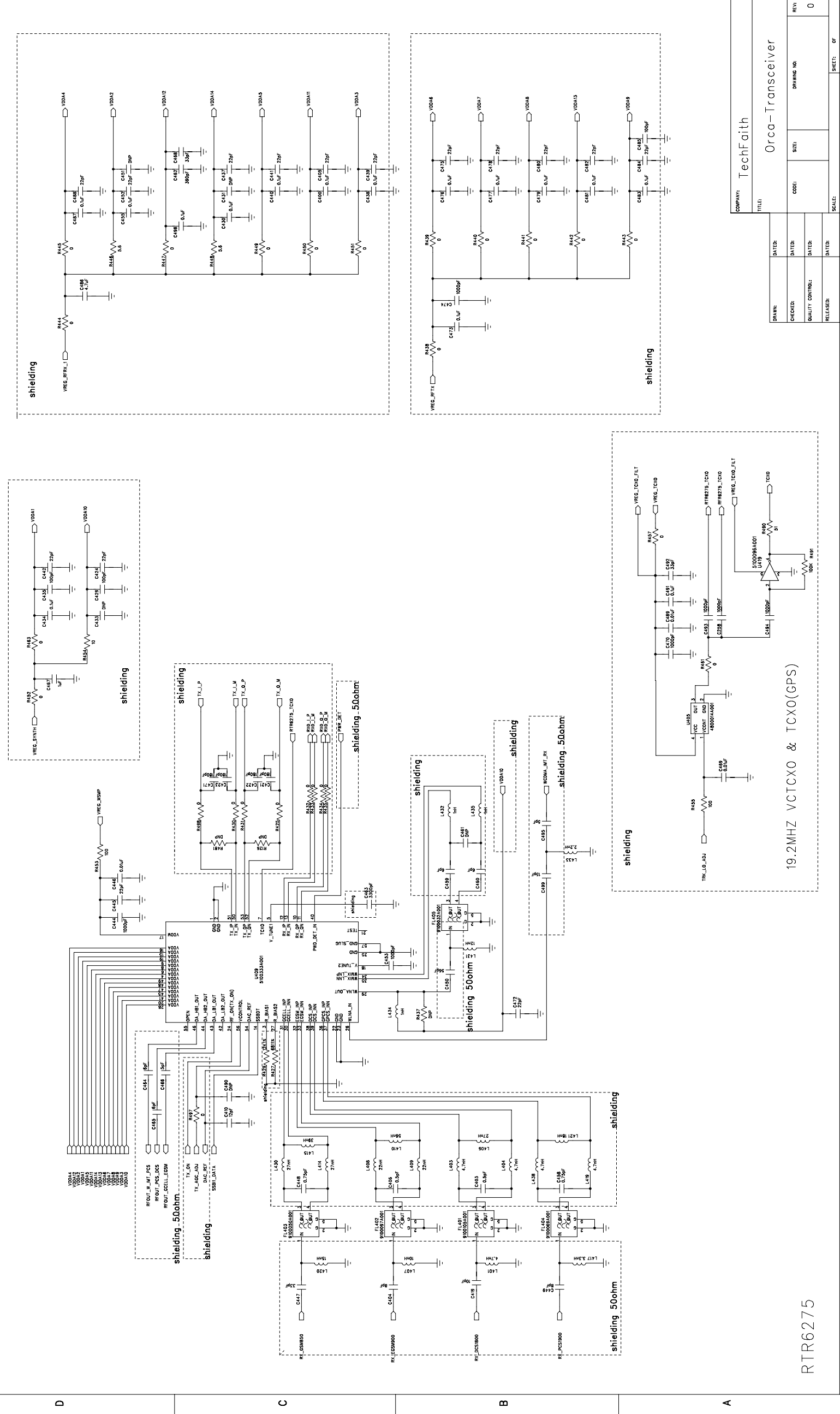


512Mb NAND + 512Mb SDRAM

COMPANY: TechFaith	
TITLE: Orca-MEMORY	
DRAWN:	DATE:
CHECKED:	DATE:
QUALITY CONTROL:	DATE:
RELEASED:	DATE:
CODE:	SCALE:
DRAWING NO:	SHEET: 07
REF: 0	

REVISION RECORD		
LTR	ECO NO.	APPROVED DATE

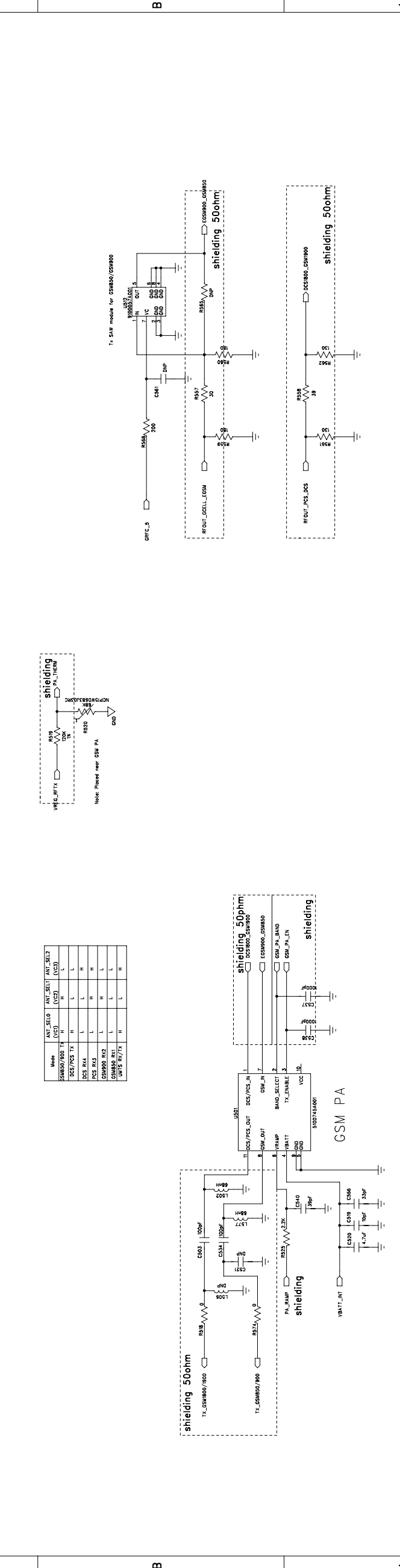
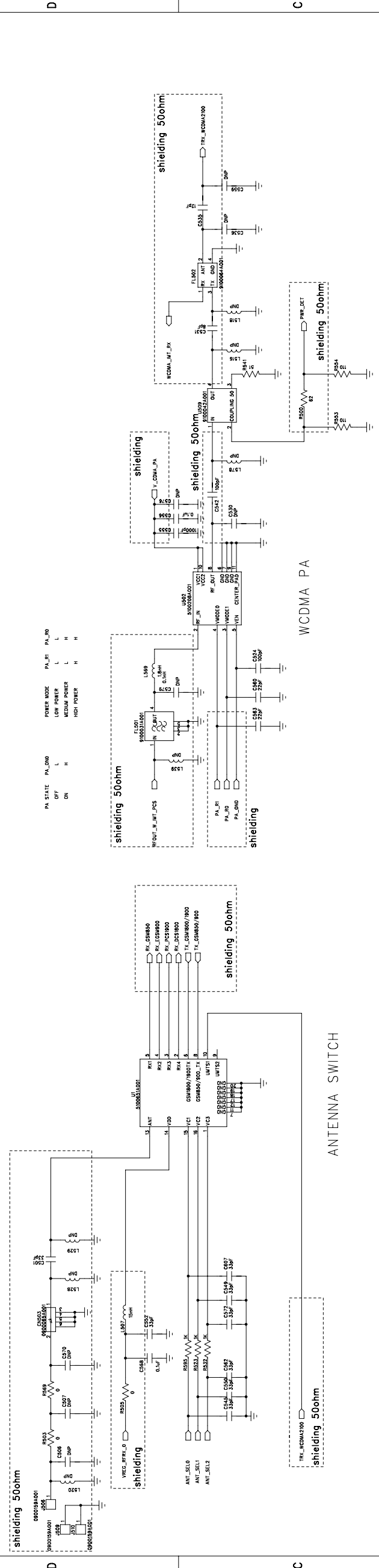
1 2 3 4 5 6



COMPANY: TechFaith		TITLE: Orca-Transceiver	
DRAWN:	DATE:	CODE:	SIZE:
CHECKED:	DATE:	QUALITY CONTROL:	DATE:
RELEASED:	DATE:	SCALE:	SHEET: 07
REF: 0		DRAWING NO:	

RTR6275

LTP		EOD NO:		APPROVED:		DATE:	



Mode	ANT_SEL0 (VCC)	ANT_SEL1 (VCC)	ANT_SEL2 (VCC)
CSM/PCS_TX	H	L	L
PCS_RX1	L	L	H
PCS_RX2	L	L	H
PCS_RX3	L	L	H
PCS_RX4	L	L	H
WTS_RX/TX	L	L	H

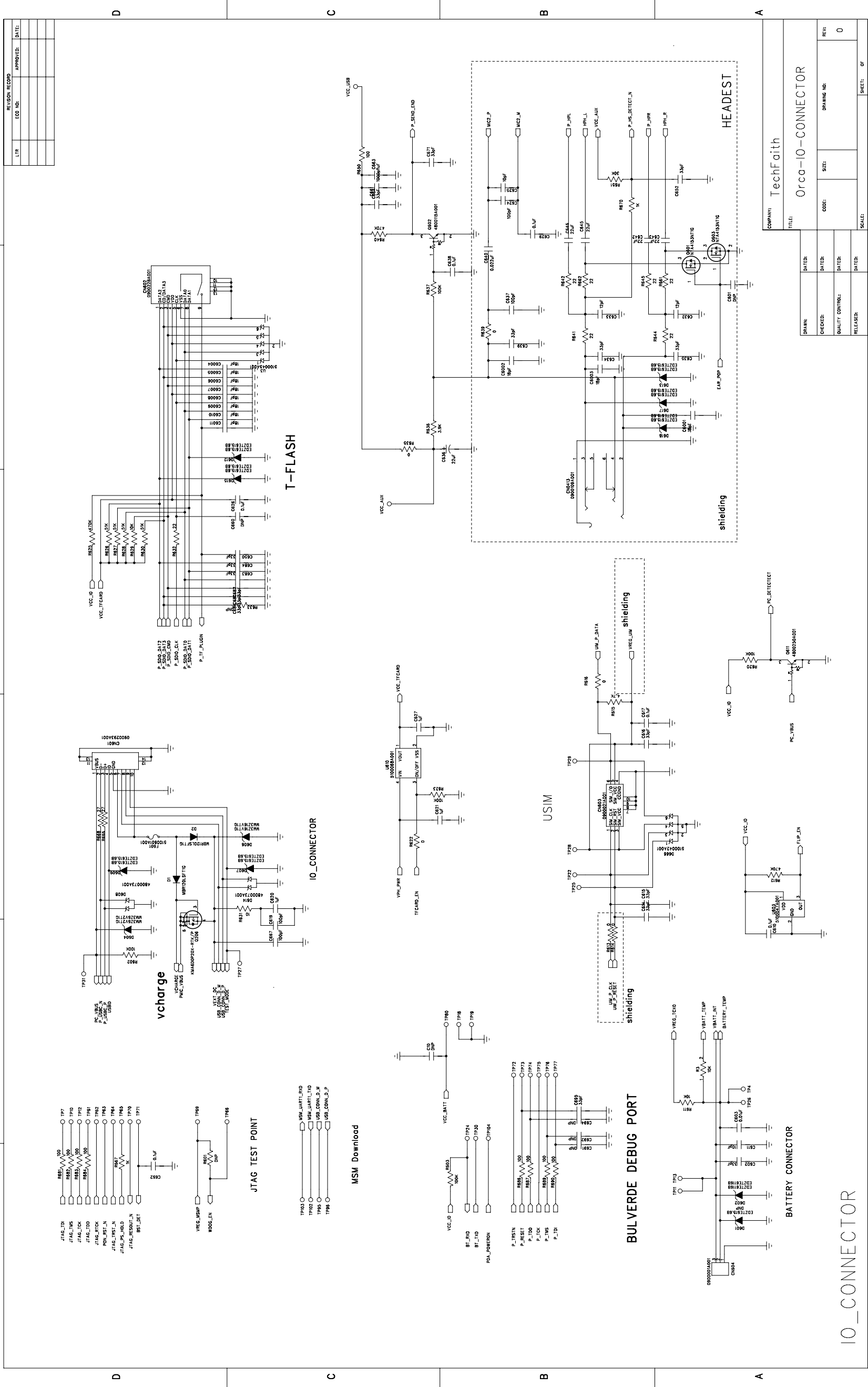
COMPANY: TechFaith
 TITLE: Orca-GSM/WCDMA PA

DRAWN:	DATE:	CODE:	SIZE:	DRAWING NO:	REV:
CHECKED:	DATE:	QUALITY CONTROL:	RELEASED:	DATE:	SCALE:

RF FRONT END

SHEET: 07

REV	REVISON RECORD	DATE
LTP	ECO NO:	APPROVED:



COMPANY: TechFaith
 TITLE: Orca-IO-CONNECTOR

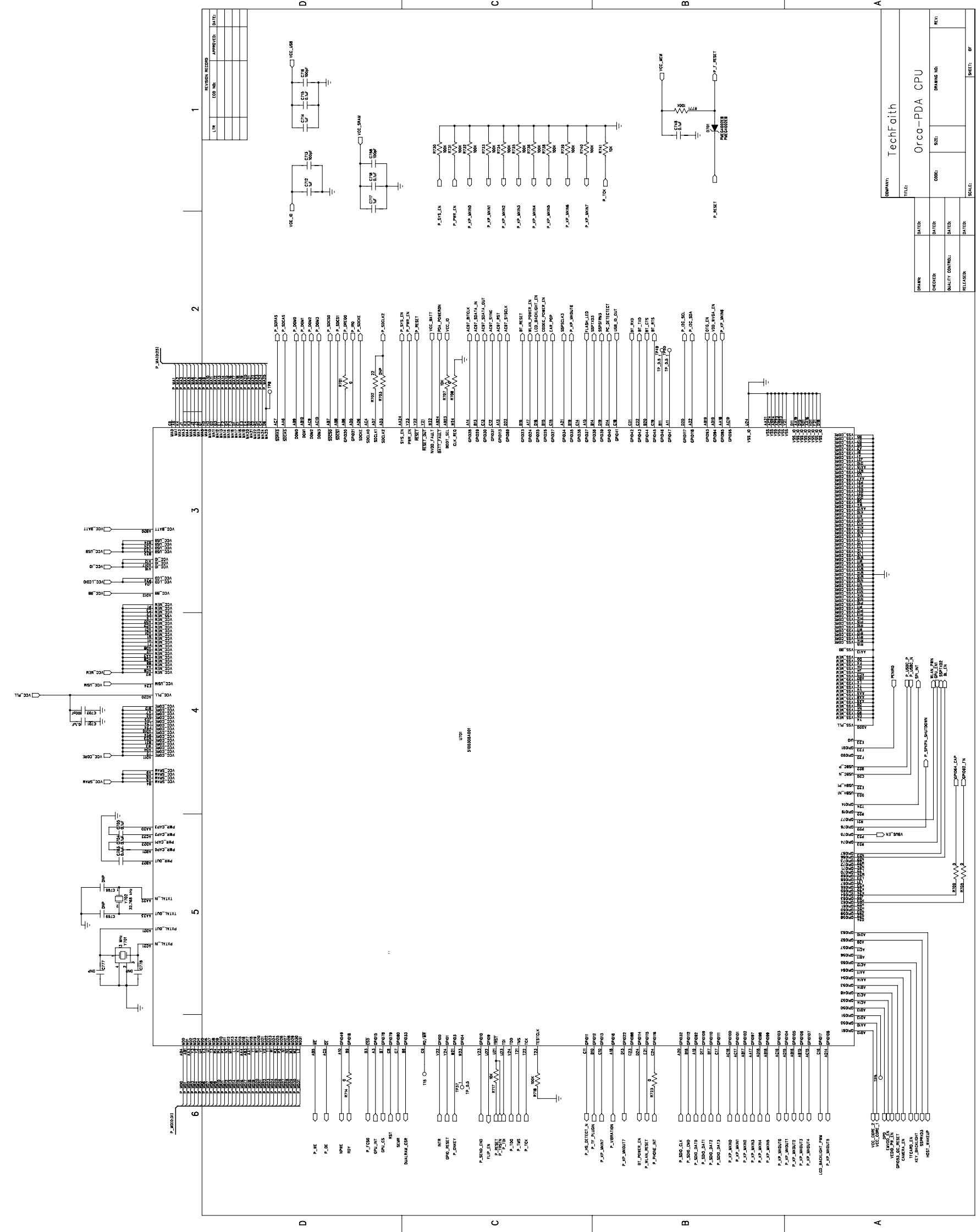
DRAWN	CHECKED	QUALITY CONTROL	RELEASED

DATE	DATE	DATE	DATE

CODE	SIZE	DRAWING NO.	REV
			0

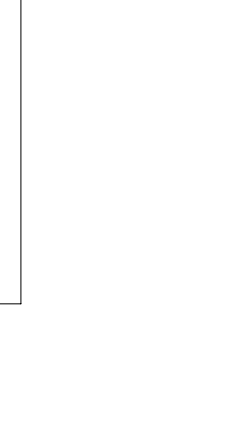
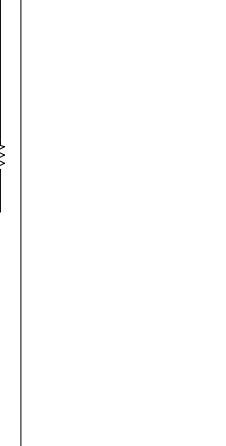
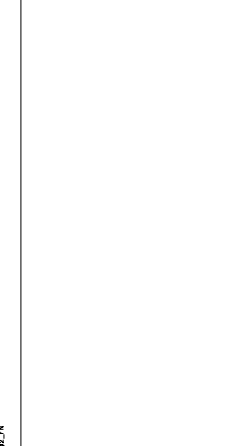
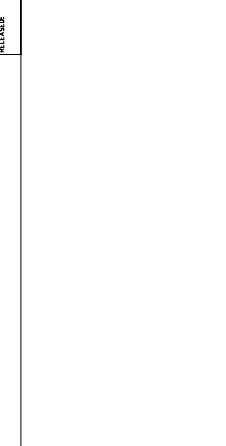
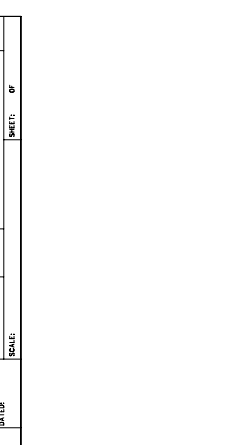
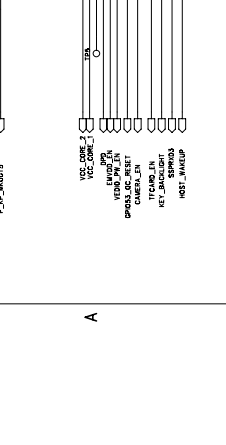
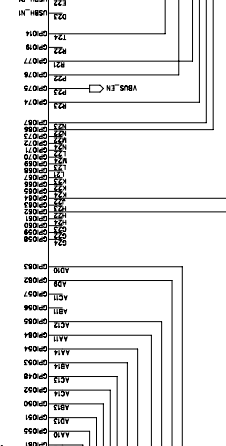
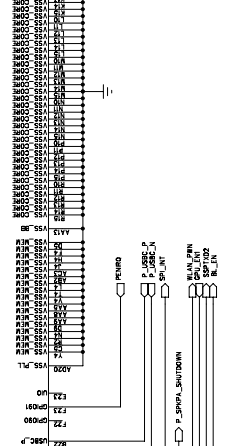
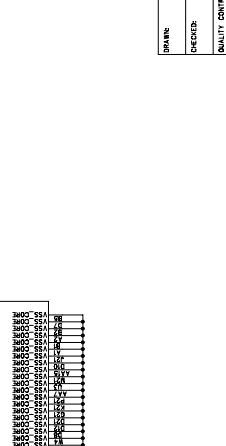
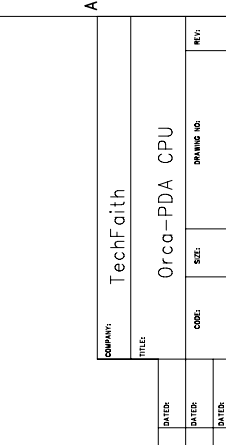
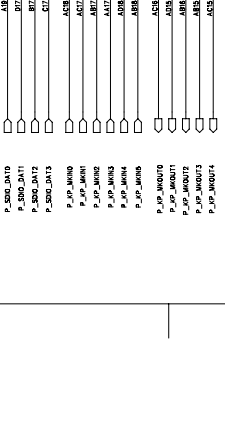
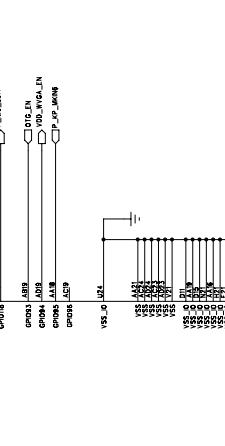
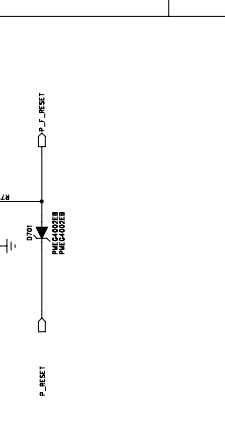
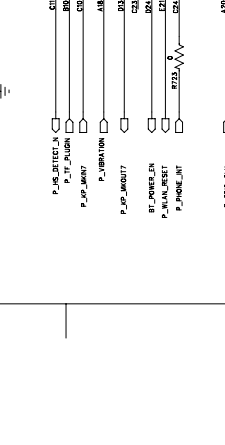
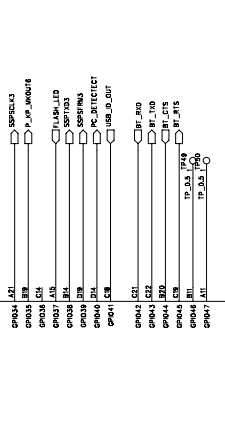
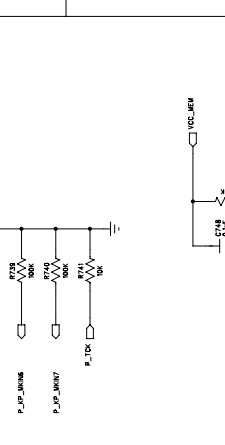
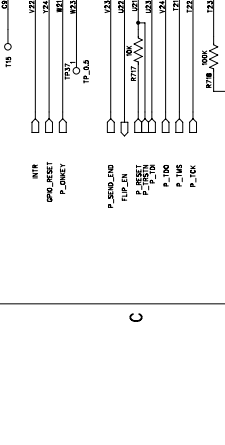
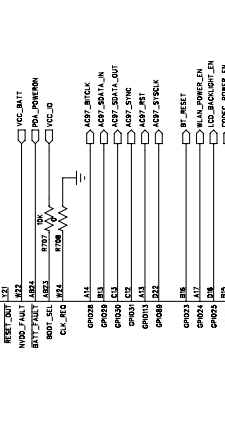
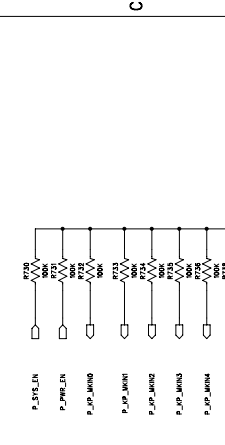
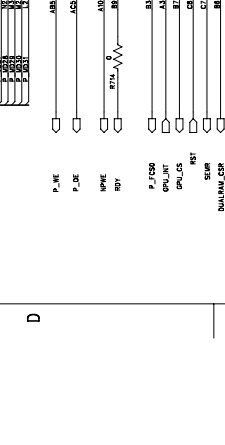
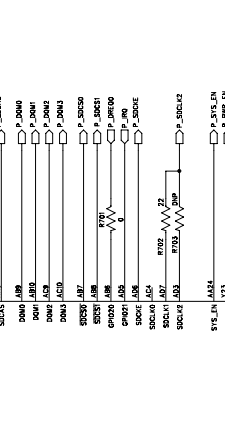
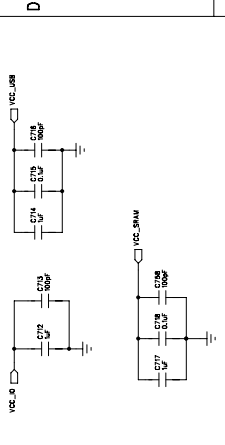
SCALE	SHEET	OF

IO_CONNECTOR



REV	DESCRIPTION	DATE
1	INITIAL RECORD	
2	REV. NO.	
3	APPROVED	
4	DATE	

COMPANY: TechFaith		TITLE: Orcca-PDA CPU	
DATE:	DATE:	CODE:	DRAWING NO:
DESIGN:	DATE:	SCALE:	REV:
QUALITY CONTROL:	DATE:		
RELEASED:	DATE:		



REVISION RECORD table with columns: LTR, ECO NO, APPROVED, DATE

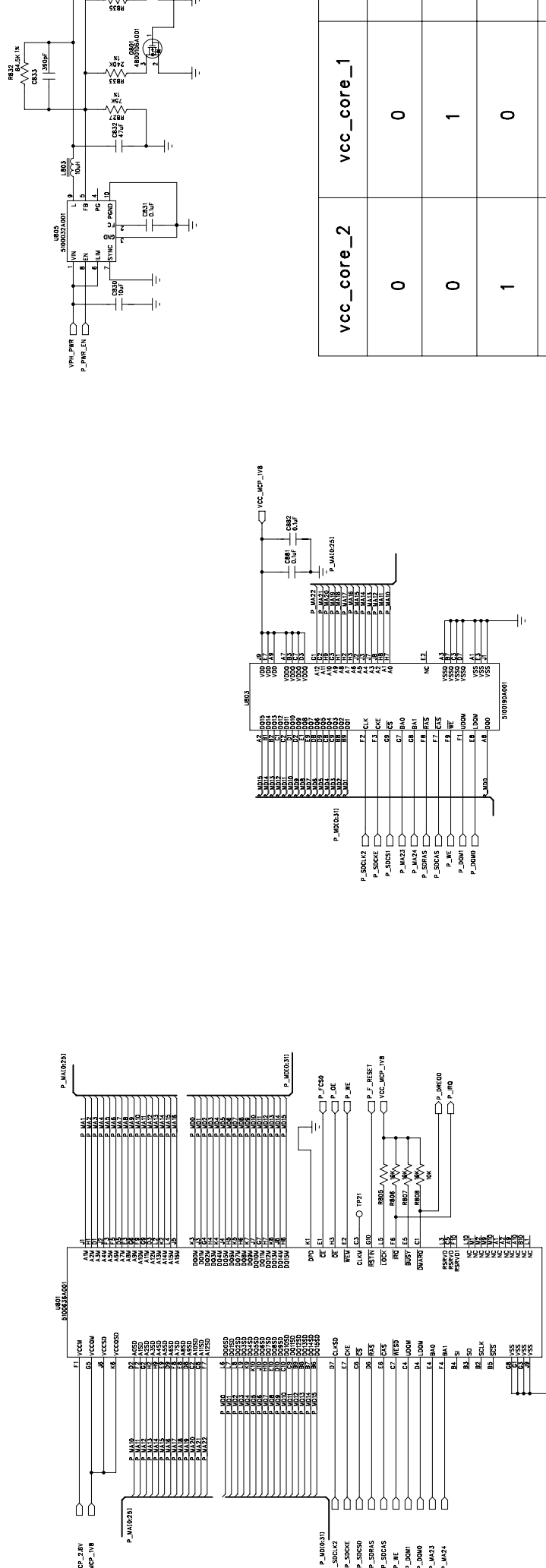
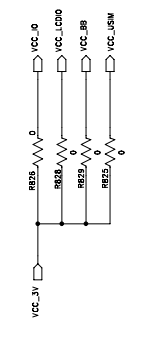
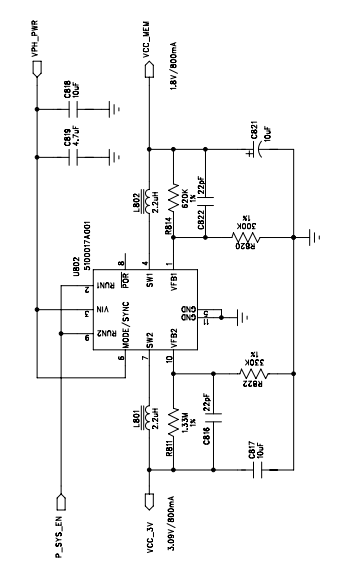
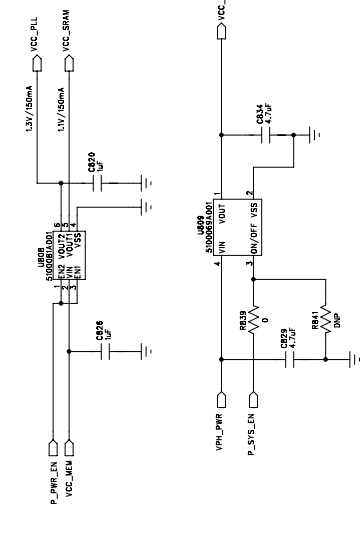
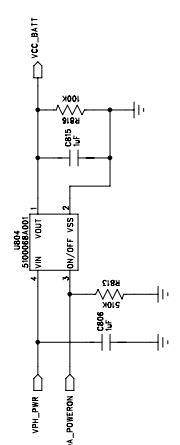
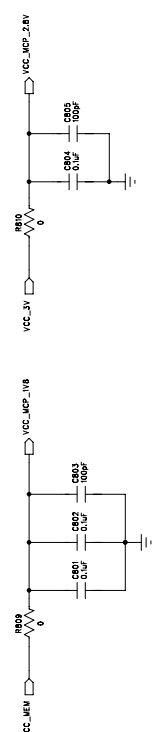


Table with 5 columns: vcc_core_2, vcc_core_1, VCC_CORE, 0.95, 1.05, 1.25, 1.35

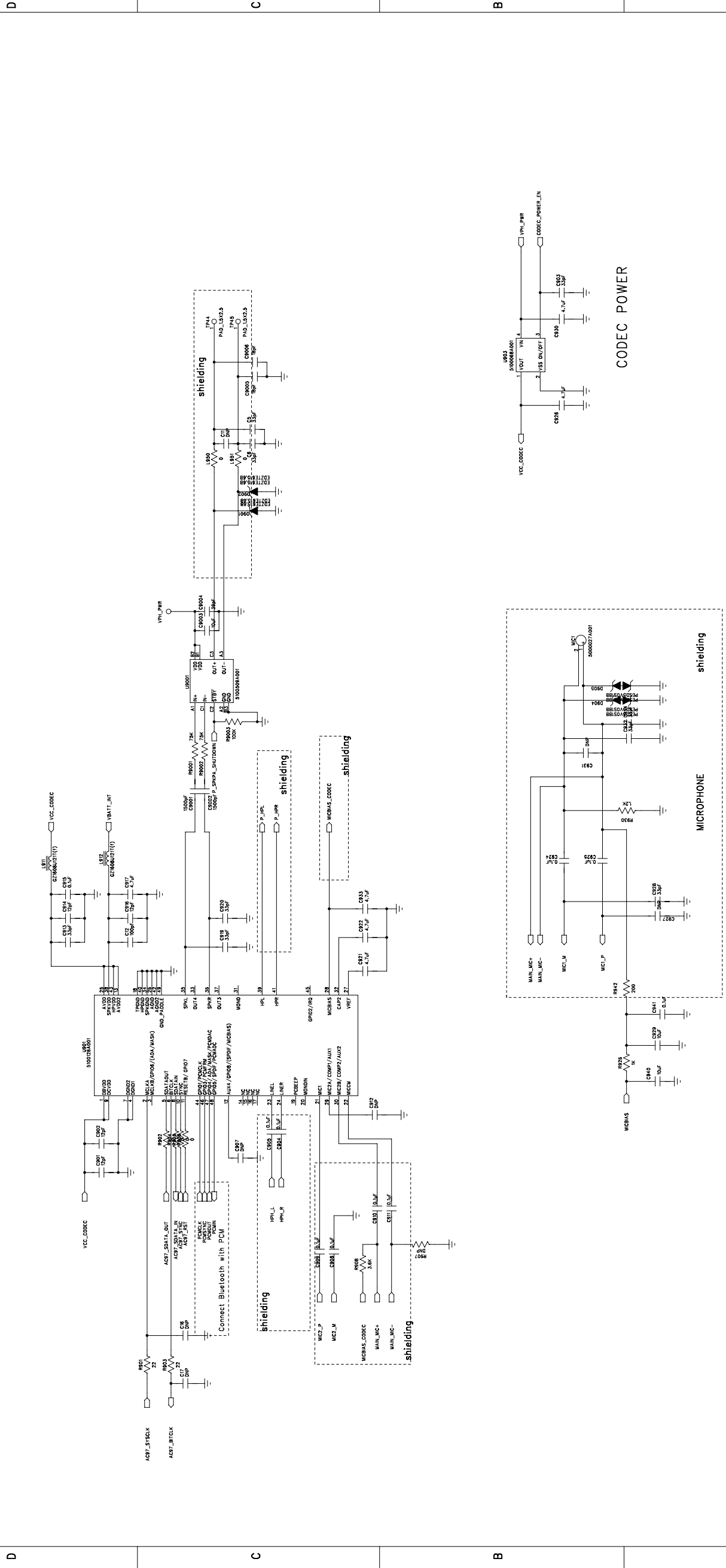


PDA DOC_MEMORY

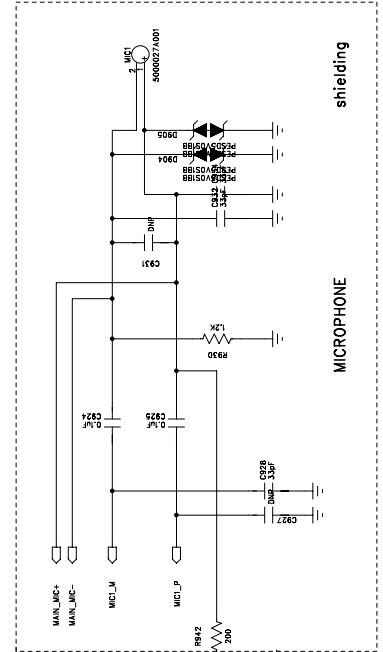
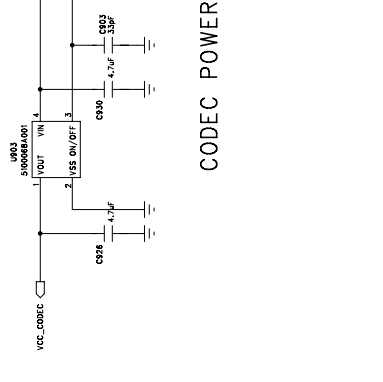


COMPANY: TechFaith, TITLE: Orca-PDA MEMORY, and various tracking fields like DRAWE, CHECKED, QUALITY CONTROL, etc.

REVISION RECORD		
LTR	ECO NO.	APPROVED DATE

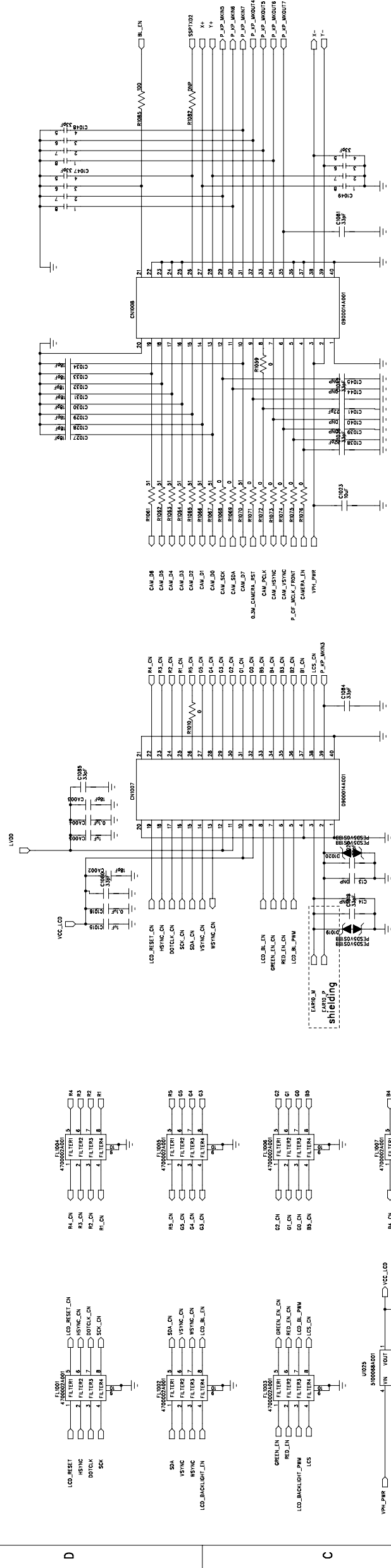


COMPANY: TechFaith	
TITLE: Orca-PDA CODEC	
DRAWN:	DATE:
CHECKED:	DATE:
QUALITY CONTROL:	DATE:
RELEASED:	DATE:
CODE:	SIZE:
DRAWING NO:	REV:
SCALE:	SHEET: 07

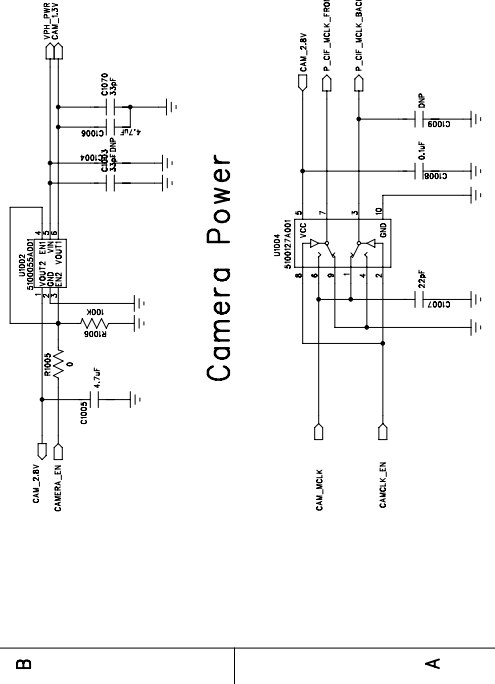
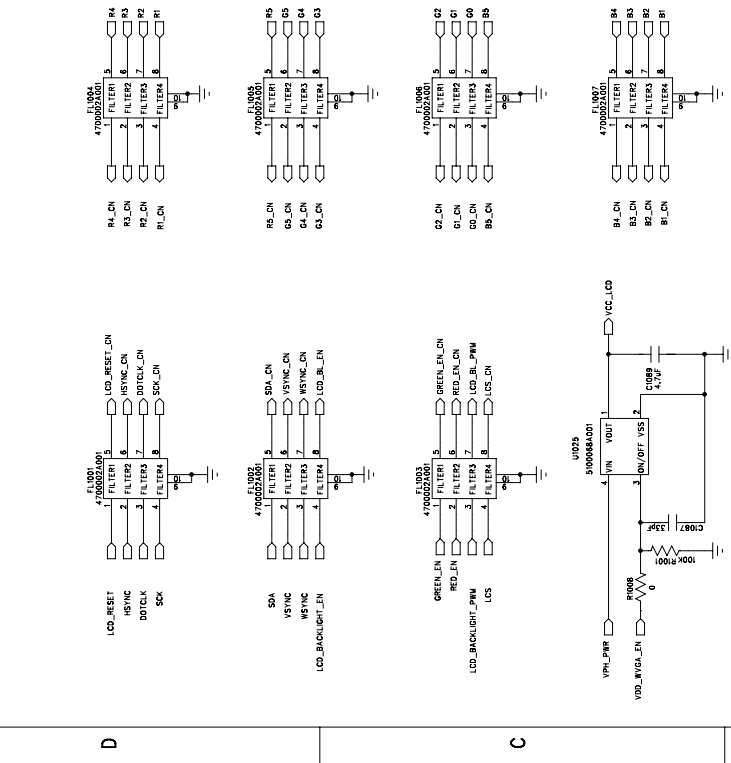


REVISION RECORD		
LTR	ECO NO.	APPROVED DATE:

1 2 3 4 5 6

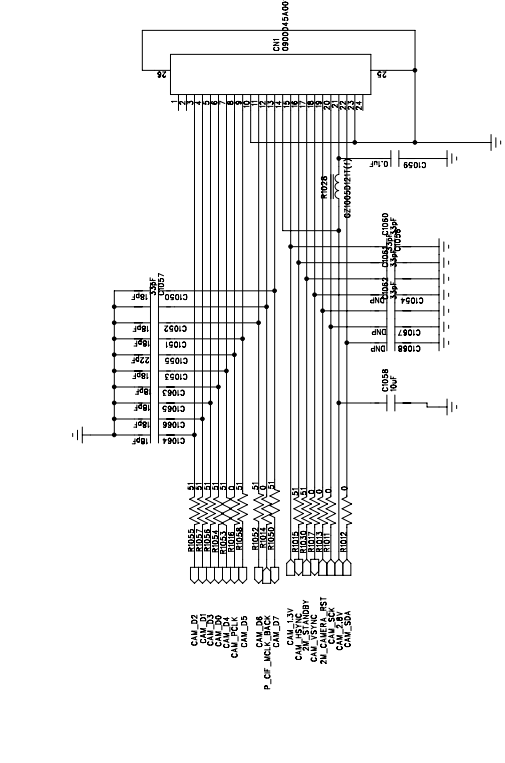


Slide Board Connector

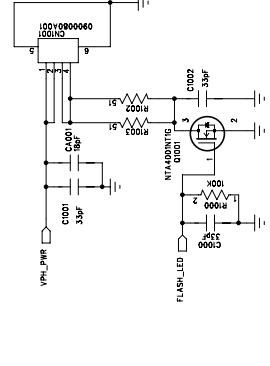


Camera Power

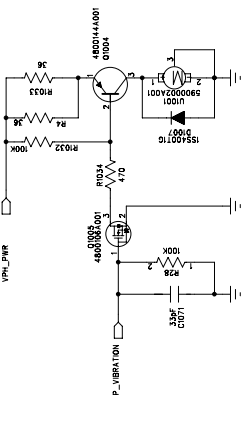
CAMERA CLK SWITCH



REAR CAMERA (2M)



FLASH



VIBRATOR

COMPANY: TechFaith	
TITLE: Orca-LCD+CAMERY	
DRAWN:	DATE:
CHECKED:	DATE:
QUALITY CONTROL:	DATE:
RELEASED:	DATE:
CODE:	DRAWING NO:
SIZE:	REF:
SCALE:	SHEET: 07

REVISION RECORD	
LTR	DATE

1

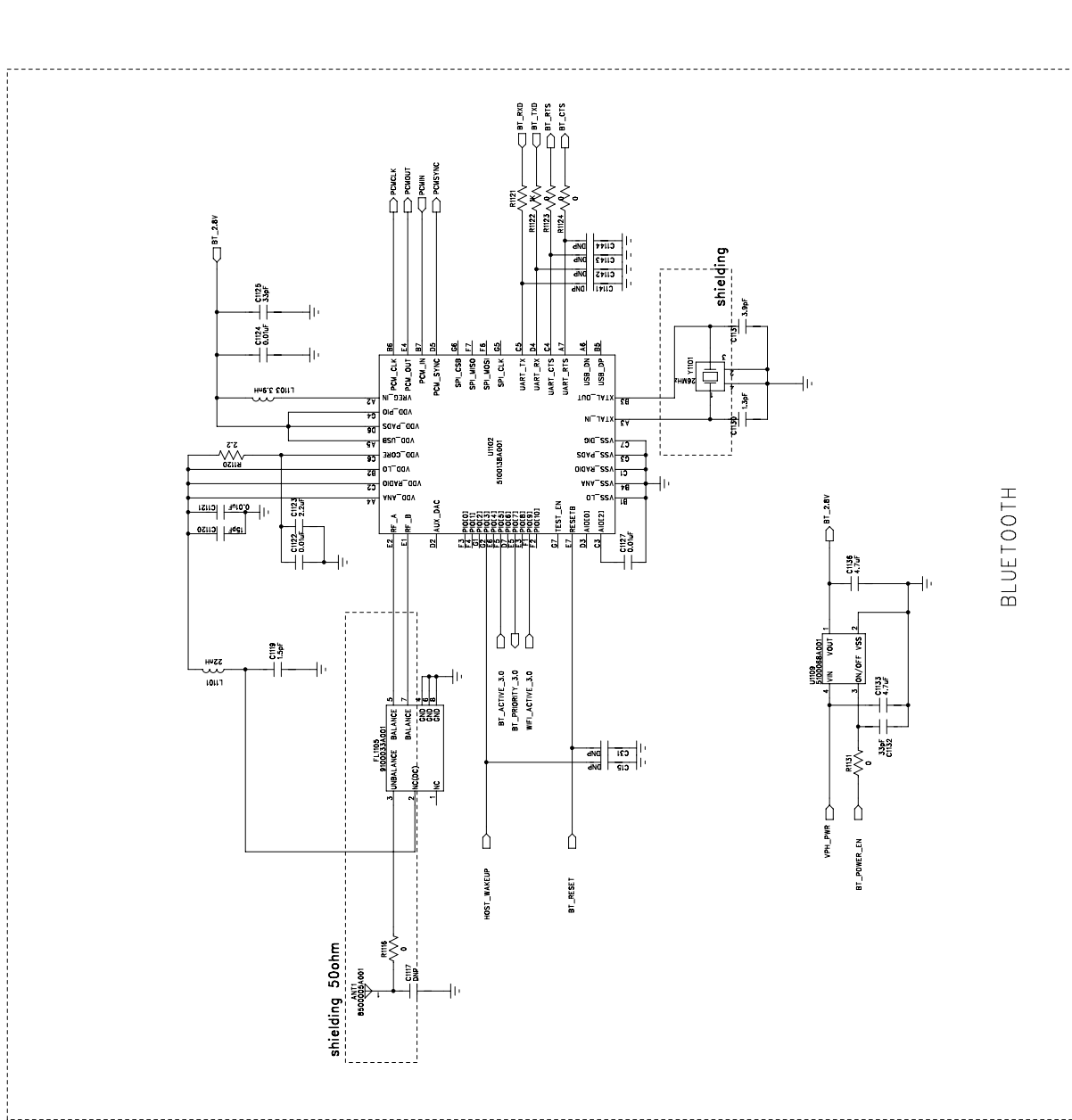
2

3

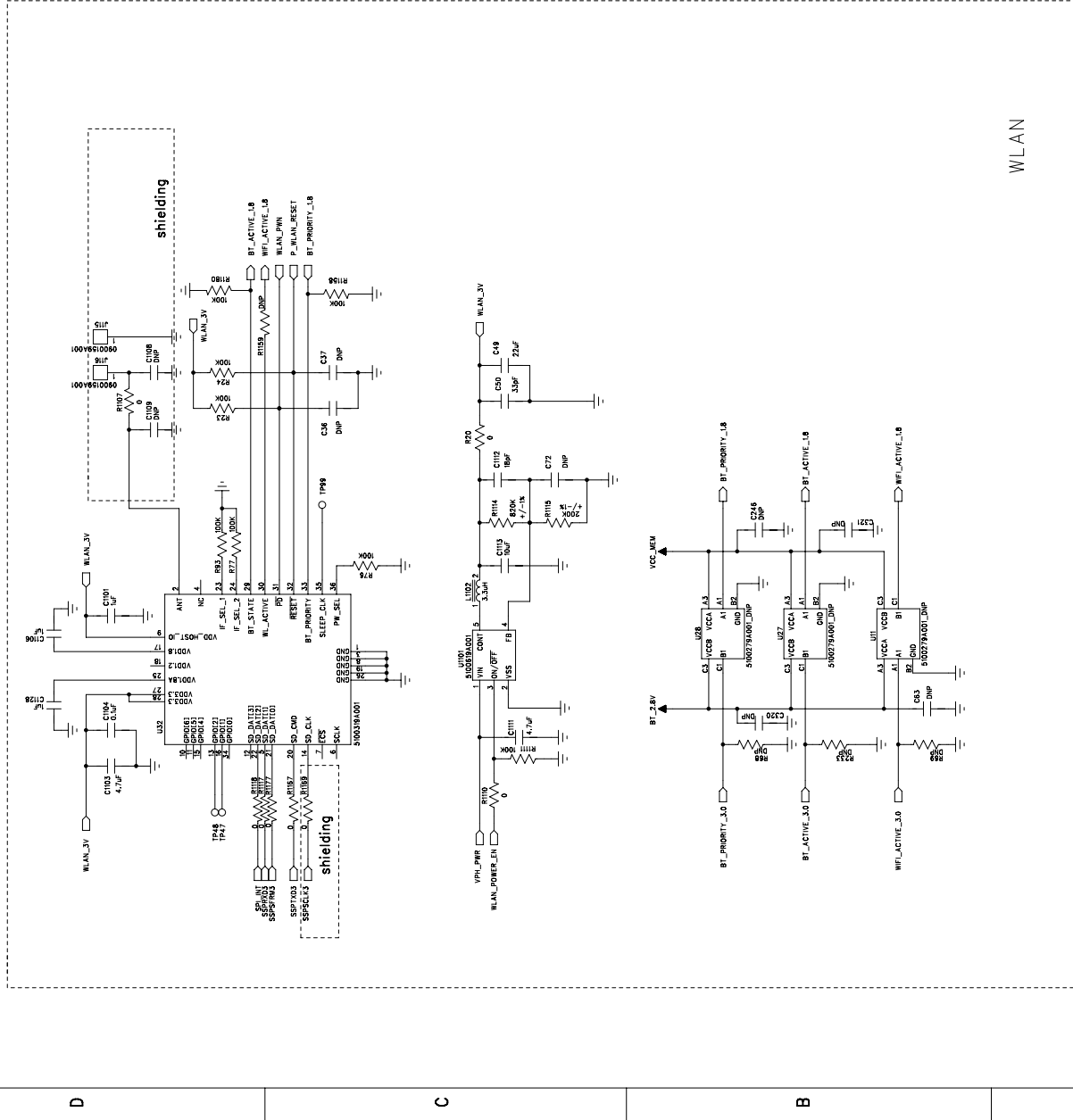
4

5

6



BLUETOOTH



WLAN

COMPANY: TechFaith	
TITLE: Orca-WLAN/BLUETOOTH	

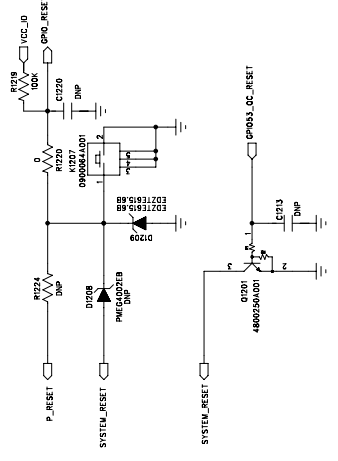
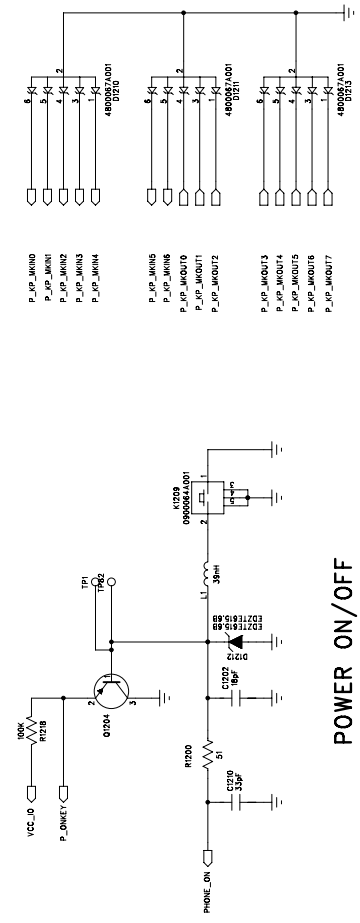
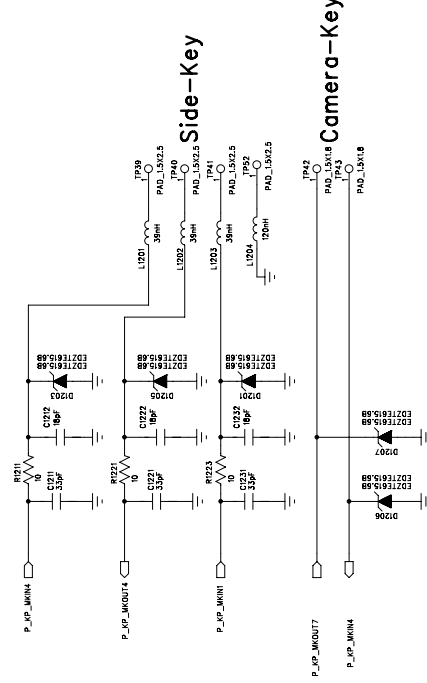
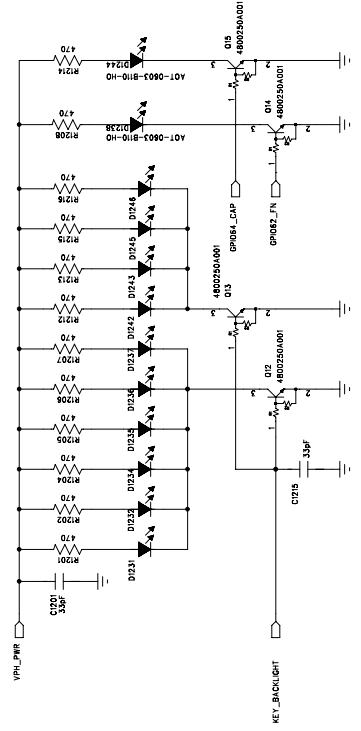
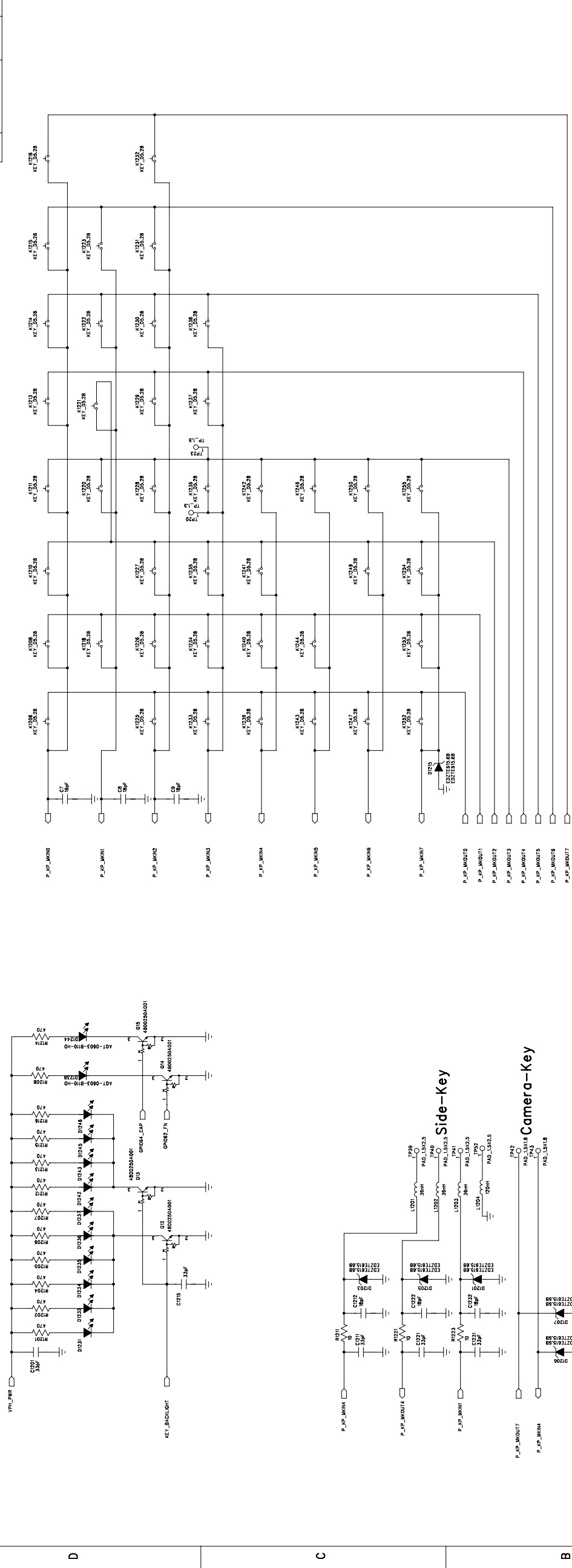
DRAWN:	DATE:
CHECKED:	DATE:
QUALITY CONTROL:	DATE:
RELEASED:	DATE:

CODE:	SIZE:	DRAWING NO:	REV:

SCALE:	SHEET:	OF

REVISION RECORD		
LTR	ECO NO.	APPROVED: DATE:

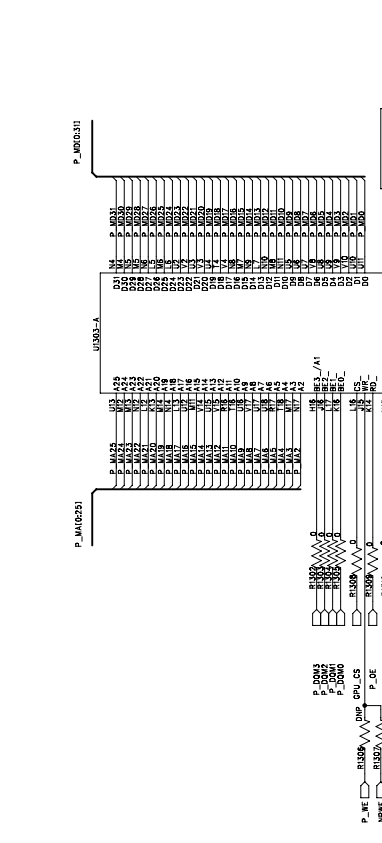
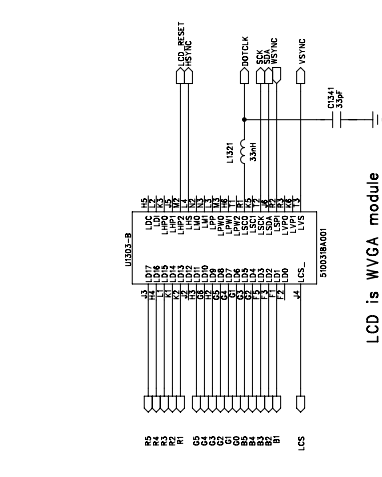
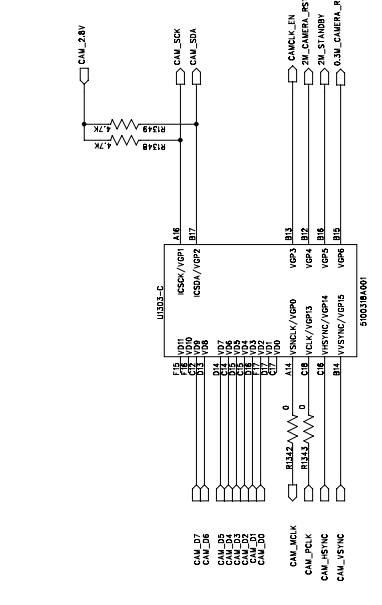
1 2 3 4 5 6



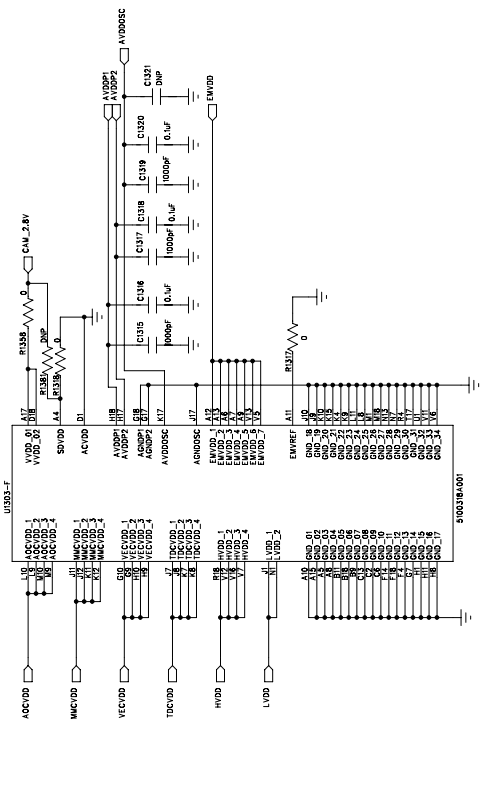
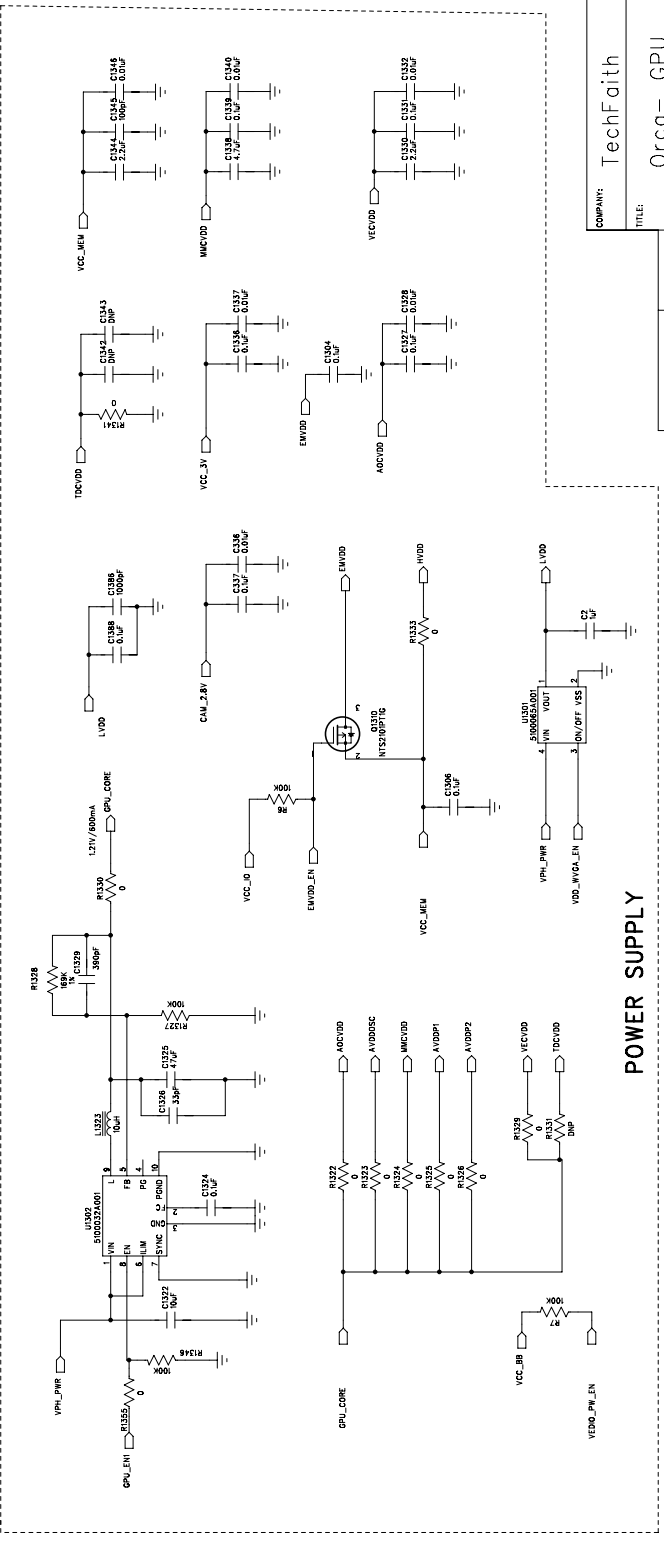
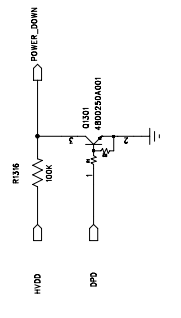
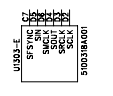
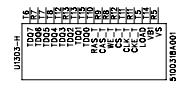
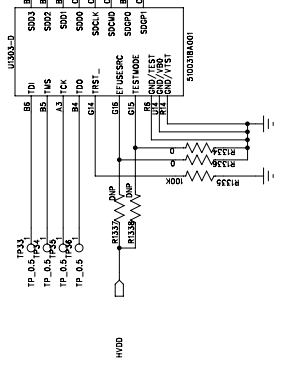
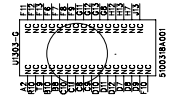
COMPANY: TechFaith	
TITLE: Orca-QWERTY	
DATE:	DATE:
CHECKED:	DATE:
QUALITY CONTROL:	DATE:
RELEASED:	DATE:
CODE:	SIZE:
DRAWING NO:	REV:
SCALE:	SHEET: 07

REVISION RECORD		
LTR	ECO NO.	APPROVED DATE

1 2 3 4 5 6



LCD is WYGA module

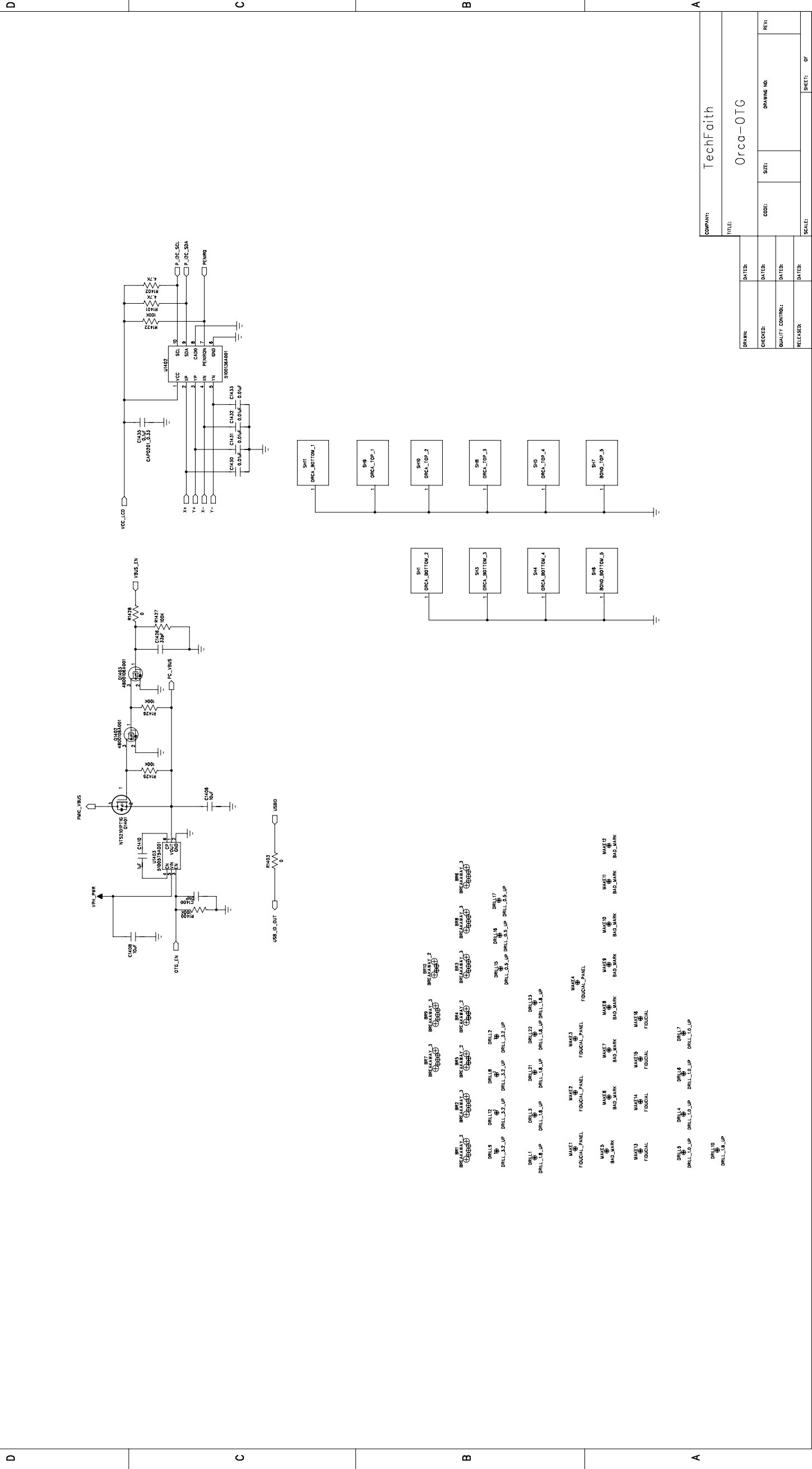


COMPANY: TechFaith	
TITLE: Orca - GPU	
DRAWN:	DATE:
CHECKED:	DATE:
QUALITY CONTROL:	DATE:
RELEASED:	DATE:
CODE:	SIZE:
DRAWING NO:	REV:
	0
SCALE:	SHEET: 07

D C B A

REVISION RECORD		
LTR	ECO NO.	DATE

1 2 3 4 5 6

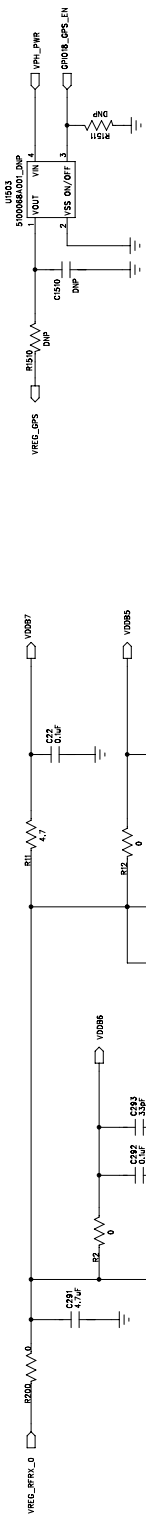
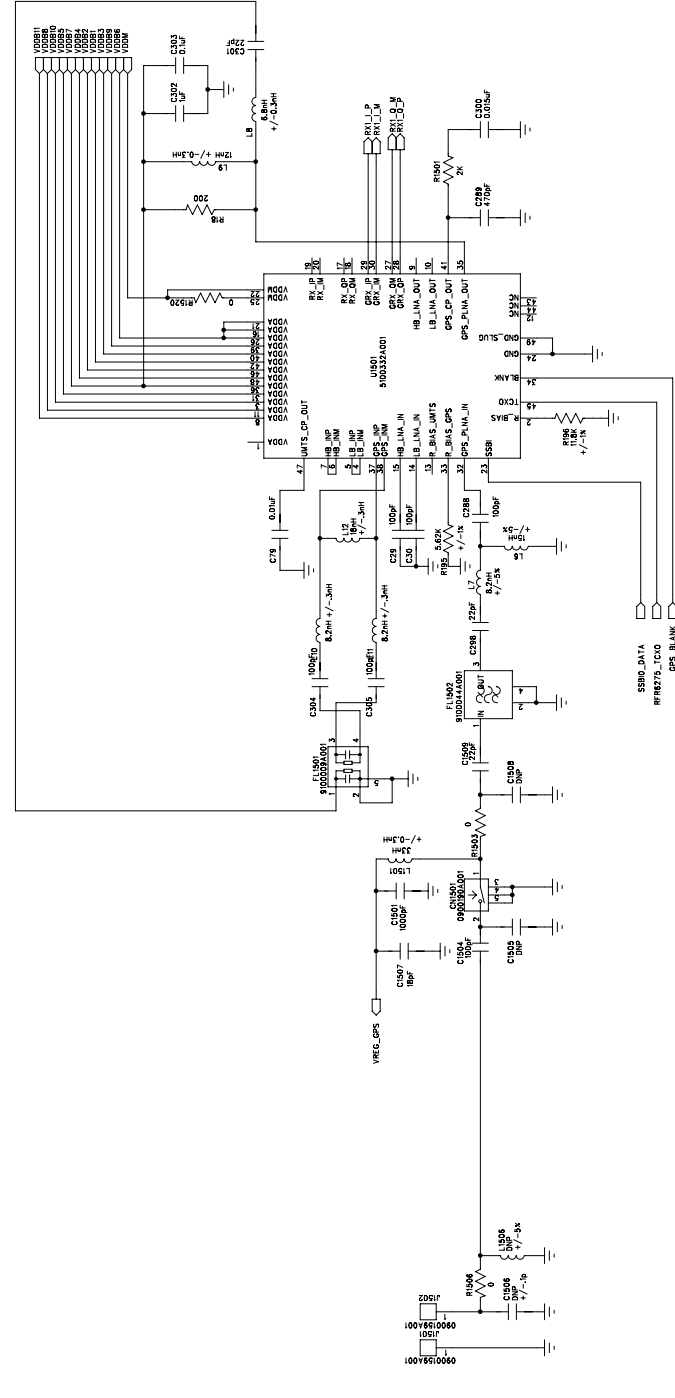


COMPANY: TechFaith	
TITLE: Orca-OTG	
DRAWN:	DATE:
CHECKED:	DATE:
QUALITY CONTROL:	DATE:
RELEASED:	DATE:
CODE:	DRAWING NO:
SIZE:	REP:
SCALE:	SHEET: OF

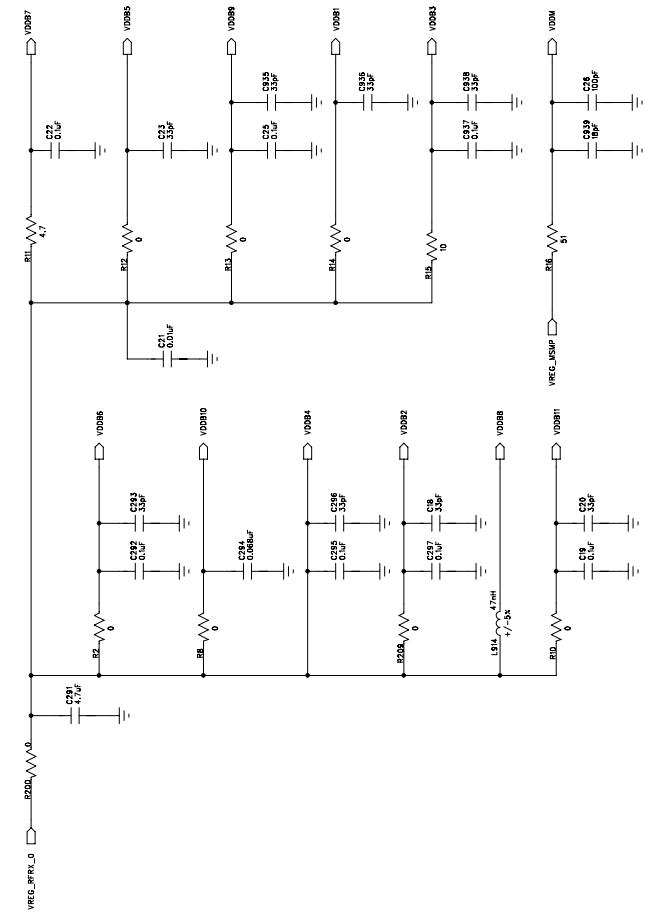
D C B A

1 2 3 4 5 6

REVISION RECORD		
LTR	ECO NO.	APPROVED DATE:



GPS_POWER



COMPANY:		TITLE:	
DATE:	DATE:	DATE:	DATE:
CHECKED:	CODE:	SIZE:	DRAWING NO.:
QUALITY CONTROL:	DATE:	RELEASED:	SCALE:
SHEET: 01			OF

RFR6275